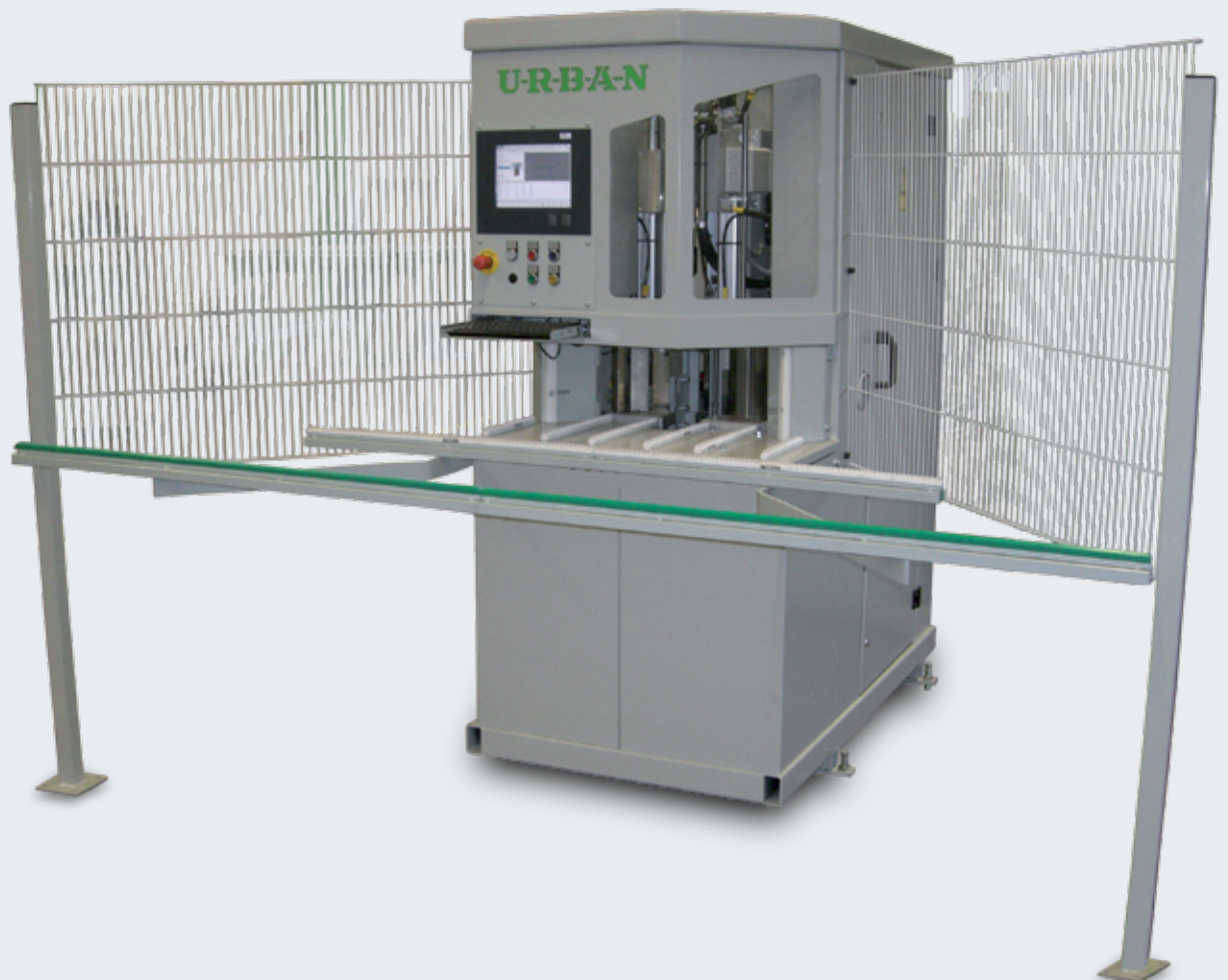


U-R-B-A-N

Trust. Right from the start!

SV 410-B

Single-Head CNC Weldseam Cleaner



Single-Head CNC Weldseam Cleaner

In General:

- Freely selectable tool places
- The windows-based PC control (with industrial PC - as standard) guarantees an operator-friendly handling of the welding machine
- Profile identification for different profile cross-sections for an automatic process
- Turning station not possible

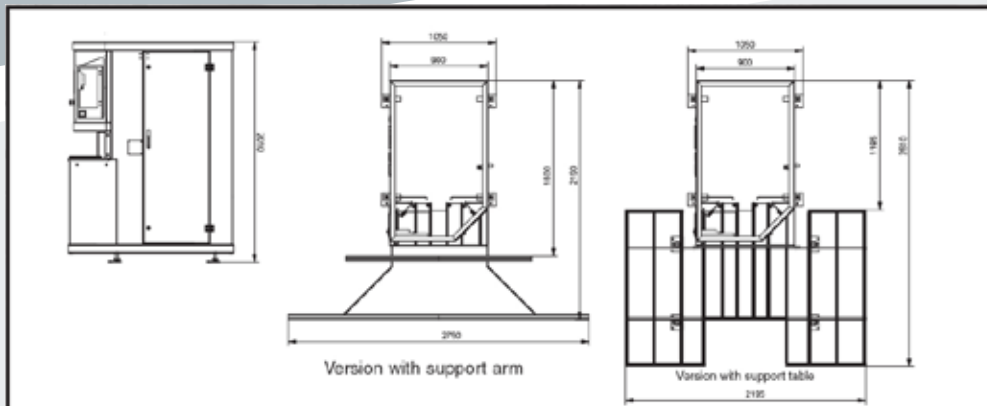
Standard Tooling:

- x2 Grooving or cutting knives (1 top & 1 bottom)
- x2 Inside cleaning knives (1 top & 1 bottom)
- x2 Vertical milling/drilling units (1 top & 1 bottom)
- x1 Disc cutting unit

Options:

- Profile identification
- Horizontal knife cutting unit
- Vertical knife cutting unit
- Milling/drilling unit for the machining of radii
- Inside cleaning units for oblique inner corners and curvers

Additional machining units available upon request.



Technical Specifications SV-410-B

	IMPERIAL	METRIC		IMPERIAL	METRIC
Main Power Voltage	400 VAC	400 VAC	Profile Height (min)	1.18"	30 mm
Current @ 440V	16 A	16 A	Profile Height (max)	7.87"	200 mm
Air Pressure	101 psi	7 bar	Profile Width (min)	1.18"	30 mm
Power Output	4.7 HP	3.5 kW	Profile Width (max)	3.14"	80 mm
Machine Weight	1,742 lbs.	790 kg	Frame Outside Width (max)	Unlimited	Unlimited
			Frame Outside Width (min)	10.63"	270 mm

Urban Machinery • 125 Werlich Drive • Cambridge, ON N1T 1N7
 Tel.: (519) 624-0080 • Fax: (519) 624-8588 • e-mail: sales@urban-machinery.com

Visit us on the World Wide Web @ <http://www.u-r-b-a-n.com>